

INSTRUCTION MANUAL

PATHOGEN SAMPLING INSTRUCTIONS

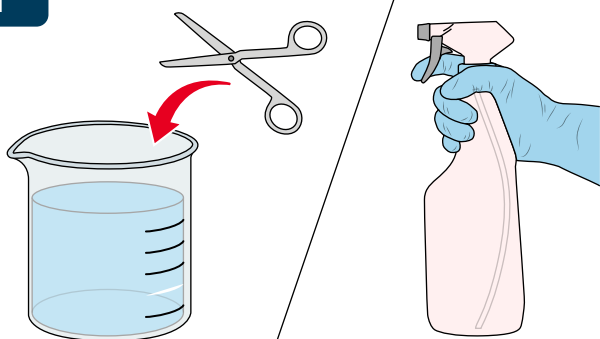


MATERIALS NEEDED:

Scissors/pruning shears, 10% bleach solution to soak scissors/shears, clean paper towels, pen, disposable gloves, a cooler with ice (or close fridge access), a refrigerator.

Sampling Instructions:

1



For each cultivar you wish to test, sterilize a pair of scissors by soaking in 10% bleach solution for 10 minutes and wipe dry with fresh paper towel. Spray gloved hands with 10% bleach and spread evenly.

2



Take the SAMPLE DATA CARD document included in the kit and write down the name of the sample you are testing next to the barcode for each cultivar. Do this twice, one for your records and one to mail back with the kit.

3



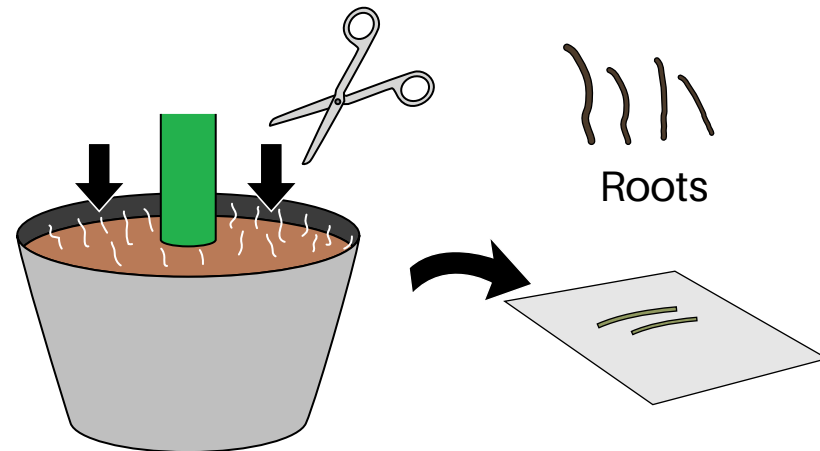
Place one barcode sticker on the tube (as shown) and one barcode sticker on the plant pot.

4

Put on fresh disposable gloves and use freshly sterilized scissors for each sample.

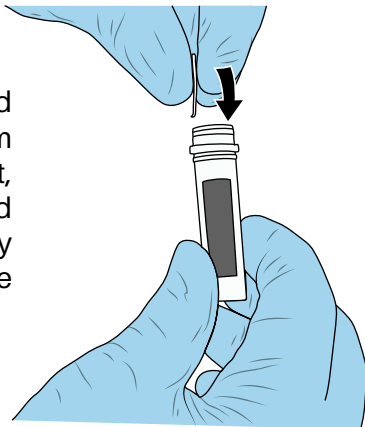
Using scissors, remove a small section of lateral roots from 3-4 different locations. Lateral roots can be accessed by pulling the pot/vessel away from soil/media near the top of the vessel. Each piece of root must be less than 1/4" with up to a maximum 1" of root length total in each Sample Tube.

*If testing for any virus other than HLVD, please include petiole sample



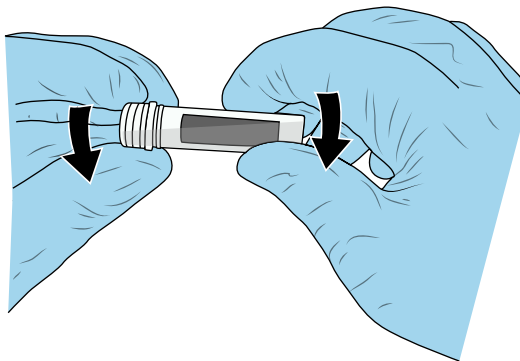
5

Open the barcoded Sample Tube from the Genie Lab kit, add the sample, and close the tube tightly to inactivate the sample.



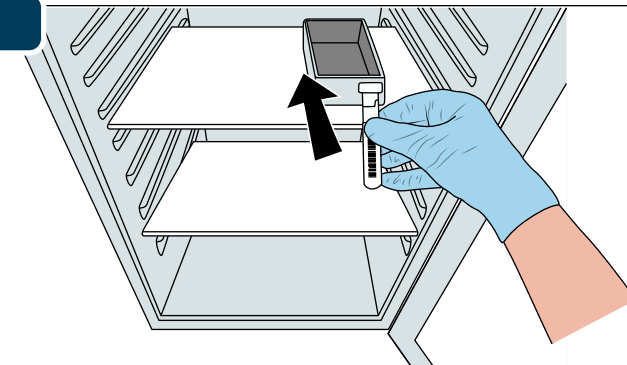
6

Submerge the chopped sample in the solution by inverting the tube 5-10 times to coat all plant material in buffer.



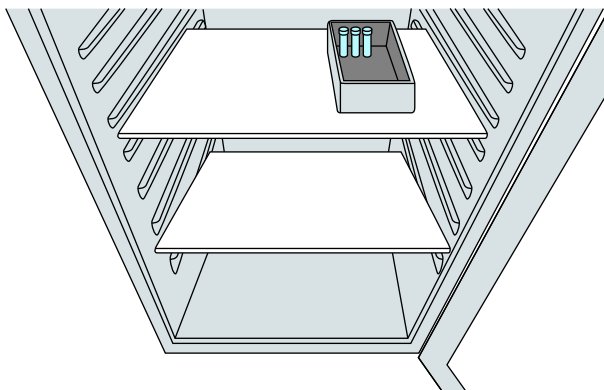
7

Immediately place the sample into a cooler with ice or directly into a refrigerator.



8

Store the samples in the refrigerator overnight and then ship the samples and one SAMPLE DATA CARD document immediately to the address in Step 9.



9



jack.m@3riversbiotech.com

Email the tracking number (if applicable), shipping date, and number of samples to jack.m@3riversbiotech.com

Canadian samples should be sent by mail to 3R Testing at:

3R Testing
ATTN: Kevin Mehr (S-218)
Unit 13 - 19889 96 Ave
Langley, BC, V1M 3C7
Ph. 604-761-4540

United States samples may be sent by UPS or Fedex to 3R Testing at:

3R Testing
1985 Baltic Way - Unit 109
Ferndale, WA 98248
Ph. 360-232-4691

*USPS in this area is highly unreliable, we recommend shipping via UPS with www.pirateship.com for best rates